



2024 Price Book



T HORST Trailer Chassis

TRAILER RUNNING GEAR

Our trailer chassis running gear offers all the strength and quality of our wagon models but with the easy to use features and handling of a standard tandem axle trailer. Three pairs of fixed bolsters provide the flexibility you need to mount a variety of forage boxes, gravity boxes, or racks.



JACK STAND
(with standard variable adjustment)

Welded jack stand supports the trailer chassis when not in use. It features a quick release foot to partially raise it before cranking.



SAFETY CHAINS
Safety chains to help provide safe towing



PIVOTING HITCH
The pivoting clevis helps to reduce the operating tension at the hitch, allowing the towed unit and the tow vehicle to track independently over uneven ground.



TANDEM WALKING BEAM AXLE
Ensures weight is evenly distributed on the back wheels across a variety of terrain. Triangulated for increased strength the tandem axle uses two mounts reducing flex under travel.



TO



MODEL TR505



FEATURES

- 20 ton trailer style running gear
- Hubs - 8 Stud 12,000 LBS.
- Fixed Bolsters 112"
- Heavy Duty Jack
- Safety Chain (1/2" GR. 70)
- Disc brake flanges



Tire Size	Tire Type	Rim Size	Track Width	Wagon c/w Tires & Rims	Wagon c/w Rims, Less Tires	Wagon Less Rims, Less Tires
16.5 x 16.1	10 Ply	16.1 x W14C x 8	79"	\$16,775.00	\$13,506.00	\$12,408.00
19L x 16.1	12 Ply	16.1 x W16C x 8	81"	\$17,593.00	\$13,640.00	\$12,408.00
21.5 x 16.1	14 Ply	16.1 x W16C x 8	81"	\$19,020.00	\$13,640.00	\$12,408.00
425 x 22.5	Used Truck*	22.5 x 13 x 8	76"	\$14,799.00	\$13,701.00	\$12,408.00
425 x 22.5	New Truck	22.5 x 13 x 8	76"	\$18,361.00	\$13,701.00	\$12,408.00
445 x 22.5	New Truck	22.5 x 13 x 8	76"	\$18,752.00	\$13,701.00	\$12,408.00
400 / 55 x 22.5	16 Ply	22.5 x 13 x 8	76"	\$20,533.00	\$13,701.00	\$12,408.00
560 / 45 x 22.5	16 Ply	22.5 x 16 x 8	82"	\$23,046.00	\$15,421.00	\$12,408.00

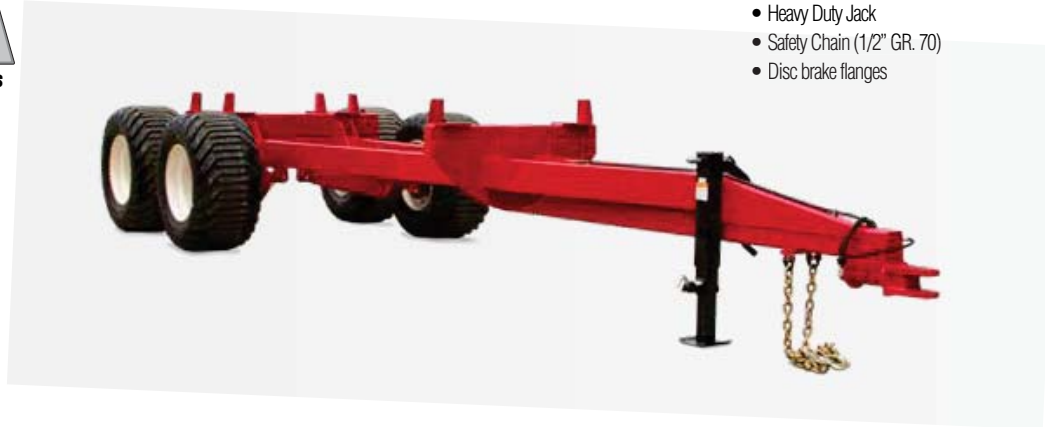
Options	Price
2 Wheel HD hydraulic disc brakes c/w flat face brake line coupler, must use 22.5 rim	\$3,514.00
4 Wheel HD hydraulic disc brakes c/w flat face brake line coupler, must use 22.5 rim	\$6,479.00
Pioneer male coupler on brake line, in lieu of flat face brake coupler	\$0.00
4" bolt on riser kit (other heights available)	\$751.00

*Used tires may not meet local regulations, check with your local authority before purchasing.

HORST

Prices Effective as of 3-24

MODEL TR605



FEATURES

- 24 ton trailer style running gear
- Hubs - 10 Stud 16,000 LBS.
- Fixed Bolsters 11'2"
- Heavy Duty Jack
- Safety Chain (1/2" GR. 70)
- Disc brake flanges

Tire Size	Tire Type	Rim Size	Track Width	Wagon c/w Tires & Rims	Wagon c/w Rims, Less Tires	Wagon Less Rims, Less Tires
425 x 22.5	Used Truck*	22.5 x 13 x 10	76"	\$17,062.00	\$15,964.00	\$14,598.00
425 x 22.5	New Truck	22.5 x 13 x 10	76"	\$20,625.00	\$15,964.00	\$14,598.00
445 x 22.5	New Truck	22.5 x 13 x 10	76"	\$21,015.00	\$15,964.00	\$14,598.00
400 / 55 x 22.5	16 Ply	22.5 x 13 x 10	76"	\$22,796.00	\$15,964.00	\$14,598.00
560 / 45 x 22.5	16 Ply	22.5 x 16 x 10	82"	\$25,309.00	\$17,684.00	\$14,598.00

Options	Price
2 Wheel HD hydraulic disc brakes c/w flat face brake line coupler	\$3,514.00
4 Wheel HD hydraulic disc brakes c/w flat face brake line coupler	\$6,479.00
Pioneer male coupler on brake line, in lieu of flat face brake coupler	\$0.00
4" bolt on riser kit (other heights available)	\$751.00

*Used tires may not meet local regulations, check with your local authority before purchasing.

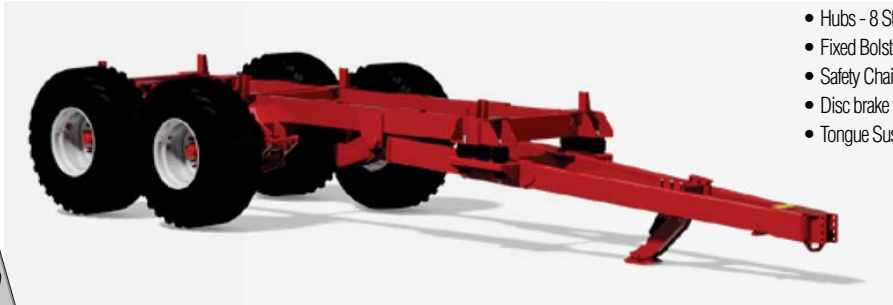


Prices and Specifications may be subject to change without notice. Prices do not include shipping or setup.

MODEL TR505RF SUSPENSION TRAILER

FEATURES

- Hydraulic Stand
- 20 ton trailer style running gear
- Road Flex Suspension
- Hubs - 8 Stud 12,000 LBS.
- Fixed Bolsters 11"2"
- Safety Chain (1/2" GR. 70)
- Disc brake flanges
- Tongue Suspension



Tire Size	Tire Type	Rim Size	Track Width	Wagon c/w Tires & Rims	Wagon c/w Rims, Less Tires	Wagon Less Rims, Less Tires
16.5 x 16.1	10 Ply	16.1 x W14C x 8	79"	\$28,140.00	\$24,870.00	\$23,772.00
19L x 16.1	12 Ply	16.1 x W16C x 8	81"	\$28,957.00	\$25,004.00	\$23,772.00
21.5 x 16.1	14 Ply	16.1 x W16C x 8	81"	\$30,385.00	\$25,004.00	\$23,772.00
425 x 22.5	Used Truck*	22.5 x 13 x 8	76"	\$26,163.00	\$25,065.00	\$23,772.00
425 x 22.5	New Truck	22.5 x 13 x 8	76"	\$29,726.00	\$25,065.00	\$23,772.00
445 x 22.5	New Truck	22.5 x 13 x 8	76"	\$30,116.00	\$25,065.00	\$23,772.00
400 / 55 x 22.5	16 Ply	22.5 x 13 x 8	76"	\$31,897.00	\$25,065.00	\$23,772.00
560 / 45 x 22.5	16 Ply	22.5 x 16 x 8	82"	\$34,411.00	\$26,786.00	\$23,772.00

Options	Price
2 Wheel HD hydraulic disc brakes c/w flat face brake line coupler, must use 22.5 rim	\$3,514.00
4 Wheel HD hydraulic disc brakes c/w flat face brake line coupler, must use 22.5 rim	\$6,479.00
Pioneer male coupler on brake line, in lieu of flat face brake coupler	\$0.00
4" bolt on riser kit (other heights available)	\$751.00

*Used tires may not meet local regulations, check with your local authority before purchasing.

MODEL TR605RF SUSPENSION TRAILER

FEATURES

- Hydraulic Stand
- 24 ton trailer style running gear
- Road Flex Suspension
- Hubs - 10 Stud 16,000 LBS.
- Fixed Bolsters 11"2"
- Safety Chain (1/2" GR. 70)
- Disc brake flanges
- Tongue Suspension



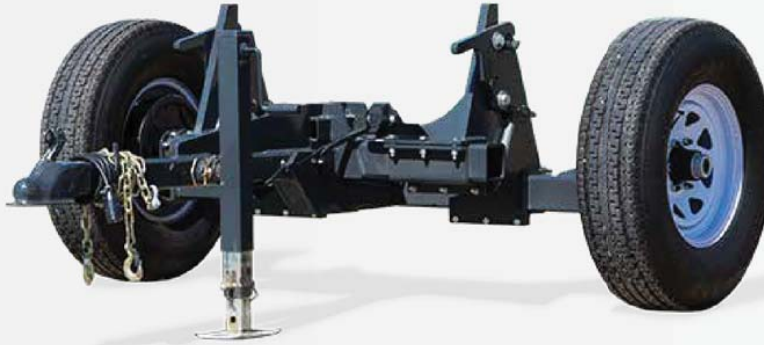
Tire Size	Tire Type	Rim Size	Track Width	Wagon c/w Tires & Rims	Wagon c/w Rims, Less Tires	Wagon Less Rims, Less Tires
425 x 22.5	Used Truck*	22.5 x 13 x 10	76"	\$29,073.00	\$27,975.00	\$26,609.00
425 x 22.5	New Truck	22.5 x 13 x 10	76"	\$32,635.00	\$27,975.00	\$26,609.00
445 x 22.5	New Truck	22.5 x 13 x 10	76"	\$33,026.00	\$27,975.00	\$26,609.00
400 / 55 x 22.5	16 Ply	22.5 x 13 x 10	76"	\$34,807.00	\$27,975.00	\$26,609.00
560 / 45 x 22.5	16 Ply	22.5 x 16 x 10	82"	\$37,320.00	\$29,695.00	\$26,609.00

Options	Price
2 Wheel HD hydraulic disc brakes c/w flat face brake line coupler	\$3,514.00
4 Wheel HD hydraulic disc brakes c/w flat face brake line coupler	\$6,479.00
Pioneer male coupler on brake line, in lieu of flat face brake coupler	\$0.00
4" bolt on riser kit (other heights available)	\$751.00

*Used tires may not meet local regulations, check with your local authority before purchasing.

2PH DOLLY

The new trailer Dolly from Horst provides a safe economical platform for transporting 2PH implements.



FEATURES

- Capacity 5,000 LBS.
- Ball Hitch (2-5/16)
- 7 pin RV style connector (to vehicle)
- Electric Brakes
- 235/85 R16 highway trailer tires
- 16 x 6 x 6 Rim
- Compatible with Category 2, 3N, and 3 point hitches
- Safety lock securely holds pins
- 2" receiver for draw bars
- 7 pin ag receptacle for implement electrics

Model	Price
2PH Dolly	\$4,880.00

